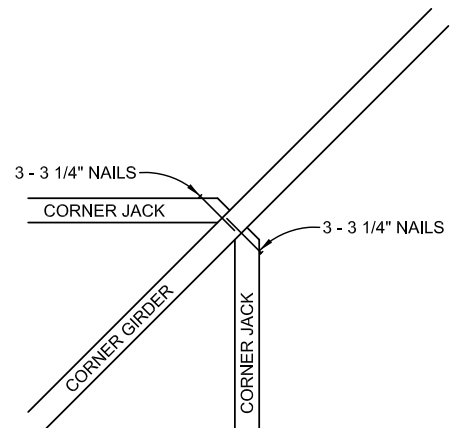
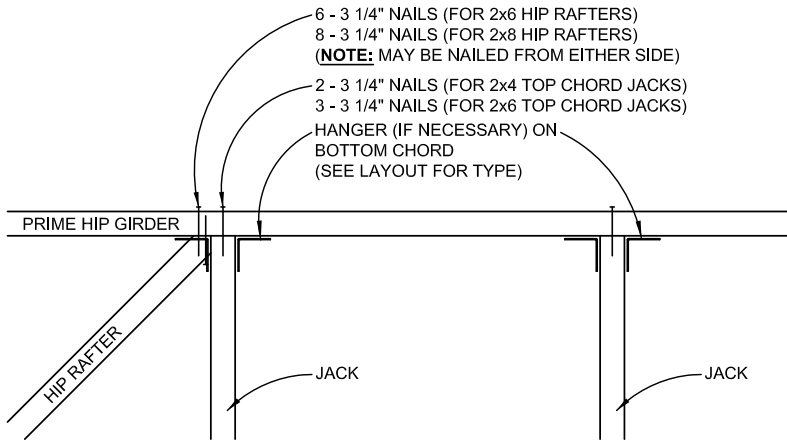


NAILING REQUIREMENTS

THE FOLLOWING DIAGRAMS SHOW THE NAILING REQUIREMENTS FOR THE CORNER SYSTEMS SUPPLIED.



TYPICAL CORNER SYSTEM FRAMING (MIDWEST)

NOT TO SCALE

